



ROSS[®]

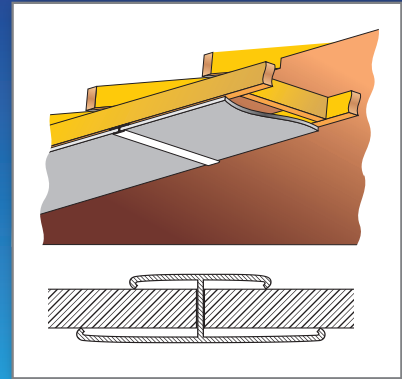
Building Products, LLC

Ross[®] Vinyl Locking H-Mold

U.S. Pat.No. D594,563

Ross Locking H-Mold

- Is a better alternative to caulk, non-flexible aluminum or coated aluminum H-Mold.
- Features locking lips that grip the siding creating a more solid connection and reducing the possibility of vinyl shrinkage and movement.
- The Locking H-Mold covers the butt ends of siding making for a more attractive finish to siding jobs.

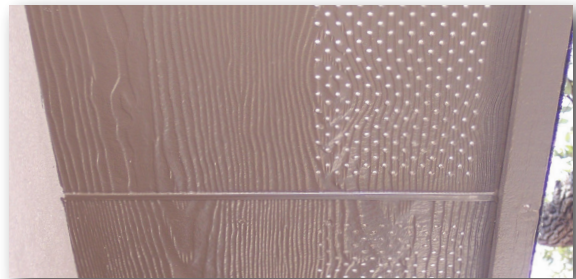


Competitors' Typical H-Mold



Avoid *Costly* Call Backs

Ross[®] Vinyl Locking H-Mold



Once it Locks it *Stays*